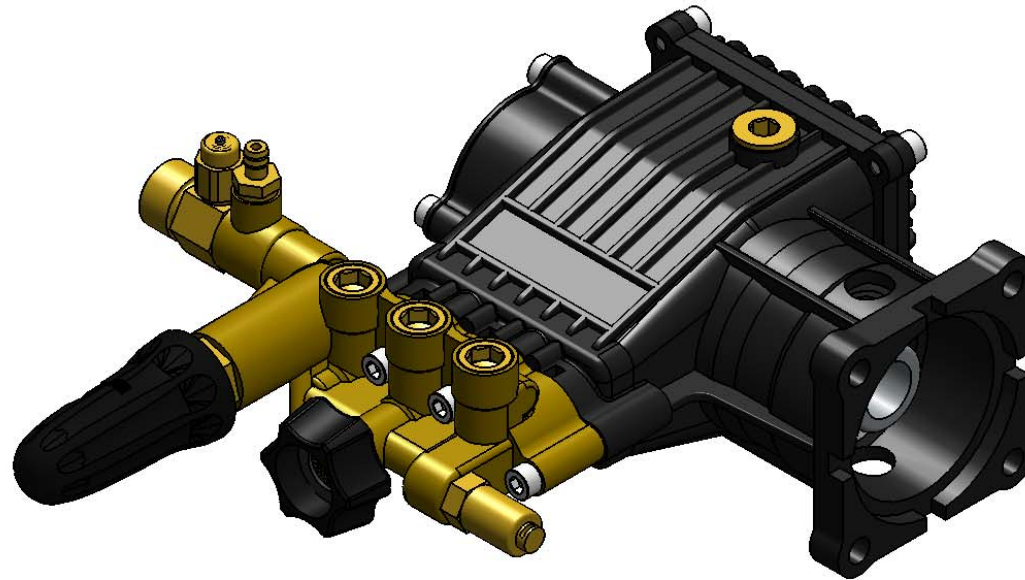


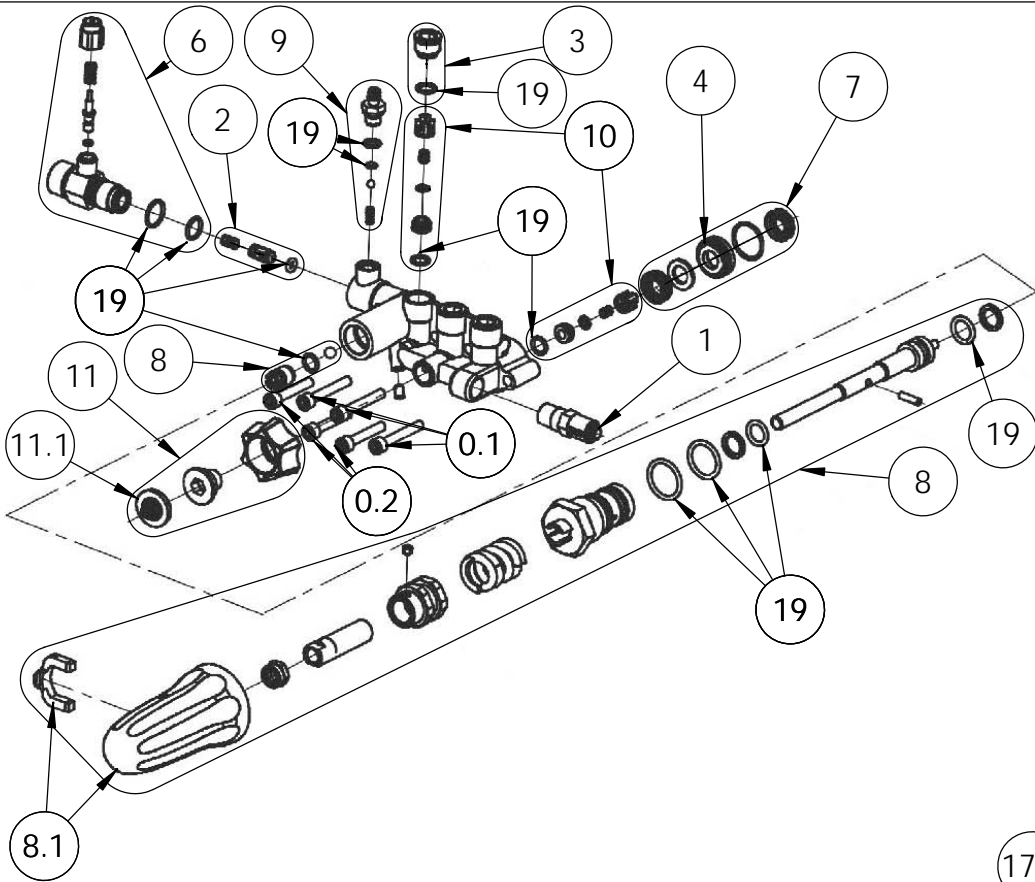
OEM C31 & C32 SERIES TRIPLEX PUMP IPL

PUMPS COVERED IN THIS IPL

530008	
530009	
530016	



			FNA-GROUP	
			1265 INDUSTRIAL STREET, DECATUR, AR 72722	
			TITLE:	
			OEM C31 & C32 SERIES PUMP IPL	
<small> PROPRIETARY AND CONFIDENTIAL THE INFORMATION CONTAINED IN THIS DRAWING IS THE SOLE PROPERTY OF FNA-GROUP. ANY REPRODUCTION IN PART OR AS A WHOLE WITHOUT THE WRITTEN PERMISSION OF FNA-GROUP IS PROHIBITED. </small>			SIZE DWG. NO. A 530008 530009 530016-DD	REV. SHEET 1 OF 4
			SCALE: N/A	ECN# EC180083



MANIFOLD KIT P/N 7108746

ITEM	PART NO.	DESCRIPTION	QTY	COMMENT
0.1	NOT SOLD SEPARATELY	SCREW, M6*40	3	TORQUE TO 100 IN-LB 11N-M
0.2		SCREW, M6*35	3	TORQUE TO 100 IN-LB 11N-M
1	7101359	THERMAL RELIEF VALVE	1	TORQUE TO 155 IN-LB 18N-M
2	7105740	CHECK VALVE KIT	1	
3	7110129	VALVE CAP KIT	3	2 KITS REQ'D FOR THIS MODEL. TORQUE TO 155 IN-LB 18N-M
4	7110125	SEAL RETAINER KIT	3	
5	7110123	SEAL SPACER KIT	3	
6	7106264	KIT, BOOST VALVE	1	TORQUE TO 155 IN-LB 18N-M
7	7105742	WATER SEAL KIT	3	
8	7108745	UNLOADER KIT	1	
8.1	7109325	UNLOADER CAP KIT	1	
9	7104228	SOAP INJECTOR KIT	1	TORQUE TO 110 IN-LB 13N-M
10	7104223	VALVE KIT	6	
11	7110329	WATER INLET KIT	1	
11.1	7000123	WATER INLET SCREEN	1	

CRANKCASE KIT

530008	P/N 7110119
530009	P/N 7110169
530016	P/N 7110120

ITEM	PART NO.	DESCRIPTION	QTY	COMMENT
12		OIL BREATHER KIT	1	
13	SEE ID TABLE BELOW	OIL PLUG KIT	1	TORQUE TO 155IN-LB 18N-M
14		REAR CRANK COVER KIT	1	
14.1		SCREW, M6*10	4	TORQUE TO 80 IN-LB 9N-M
15	7105741	OIL SEAL SET	1	
16	7110114	CONNECTING ROD/PISTON KIT	1	
17	7105921	SIGHT GLASS KIT	1	
17.1	NOT SOLD SEPARATELY	SCREW, M6*12	3	TORQUE TO 80 IN-LB 9N-M
18	7110829	CRANKSHAFT OIL SEAL KIT	1	

MISC. PARTS

ITEM	PART NO.	DESCRIPTION
19	7110121	ORING KIT, COMPLETE

CRANKCASE COVER IDENTIFICATION

COVER KIT P/N: 7110126	COVER KIT P/N: 7111194
VENT CAP P/N: 7108868	VENT CAP P/N: 7111013
OIL PLUG P/N: 7110127	OIL PLUG P/N: 7111014
CRANKCASE COVERS ARE NOT INTERCHANGEABLE BOTH TYPES OF SEAL INCLUDED IN ORING KIT (7110146)	

